



**item number:46402/99/30**

EAN code:5411212460714

**TRINITI**

### General

**Dimensions LxWxH:** Ø80x120cm

**Height minimum:** 60cm

**Height maximum:** 120cm

**Dimensions shade LxWxH:** Ø80cm

**Main material:** Aluminium

**Ceiling rose material:** Aluminium

**Color:** Black + Acrylic

**Style:** Modern

**Shape :** Round

**Weight :** 5.31 kg

**Warranty :** 3 years

### Product specifications

**Dimmable :** Yes

**Light direction :** Around (Diffuse)

**Adjustable in height :** Yes  
(Before Installation)

**Directional:** Not Directional

**Cable:** Yes

**Cable length :** 60cm

**Sensor :** Without Sensor

**Control:** Light Switch Control

**IP-Class :** 20

**Electric class :** 1

**Light source including ?:** Yes

**Lamp socket :** -

**Light source number :** 792

**Power requirements :** 220-240V~50Hz

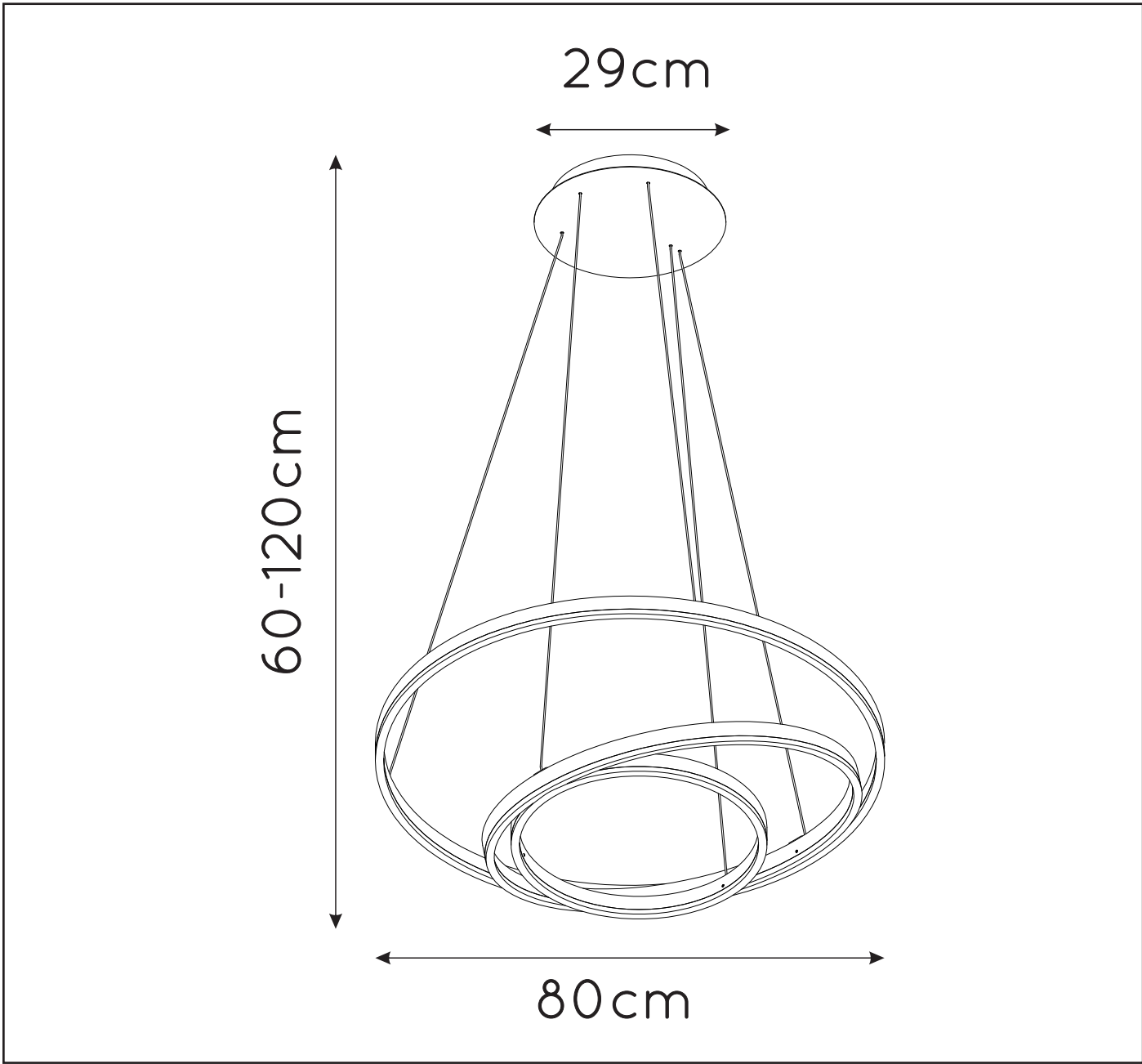
**Bulb type & maximum wattage :** 136W LED

For more specifications of this product please visit

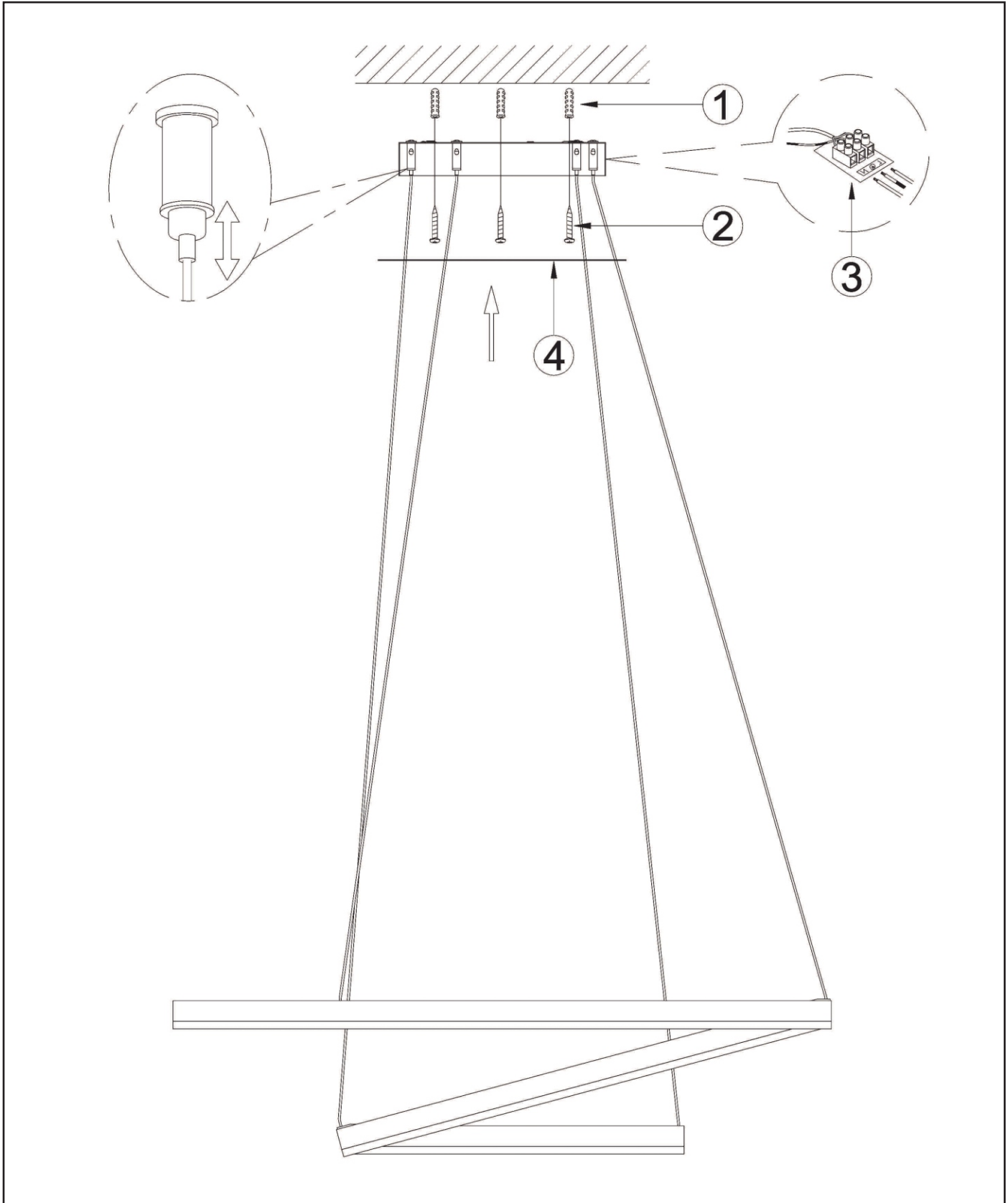
[www.lucide.com](http://www.lucide.com)

# TRINITI

Item number:46402/99/30  
EAN code:5411212460714



For more specifications of this product please visit [www.lucide.com](http://www.lucide.com)



Dit product bevat een lichtbron van energie-efficiëntieklasse G.  
 Ce produit contient une source lumineuse de classe énergétique G.  
 This product contains a light source of energy efficiency class G.  
 Dieses Produkt enthält eine Lichtquelle der Energieeffizienzklasse G.  
 Ten produkt zawiera źródło światła o klasie efektywności energetycznej G.